

## FEATURES

- All SS measuring system
- Socket-case, direct welded
- CE marked contacts
- Liquid filled versions

## APPLICATION

- Pumps & motor controls
- Water treatment plants
- Hydraulic & pneumatics
- Chemical & petrochemicals
- Pharmaceutical industries
- Compressors & utilities

### Hi Version Case



### STANDARD PARAMETERS

Accuracy	: CL 1.0
Ambient temperature	: -40...+65°C (without dampening liquid) : -20...+65°C (with dampening liquid)
Service temperature	: 200°C max.
Pressure limits	: Steady pressure up to FS value : Fluctuating pressure up to 90% of FS value
Weld joints	: TIG argon arc welding

### MATERIAL OF CONSTRUCTION

Sensing element	: Bourdon Tube (<100 bar : C - type , > 100 bar : Helical)
Case & Ring material	: AISI 304 SS (Bayonet type)
Bourdon tube & Shank	: AISI 316L SS (Shank welded directly to case)
Movement mechanism	: AISI 304 SS
Dial	: Aluminum, black graduation on white background
Pointer	: Fixed, aluminum, black powder coated
Gaskets, Blow off disc & filling plug	: Neoprene / NBR
Window	: Shatterproof safety glass

### STANDARD SPECIFICATIONS

Dial size	: DN100 / DN150
Range	: -1...0...1,600 bar
Mounting pattern	: Direct, Bottom connection
Process connection	: 1/2" NPT (M) / 1/2" BSP (M)
Ingress protection	: IP 65
Execution	: Dry
Switch	: 1NO; Make contact
Electrical termination	: 4 pin PG 13.5 connector

### STANDARD SPECIFICATIONS : DAMPENING LIQUID FILLED

Window	: Shatterproof safety glass
Dampening liquid	: Dielectric oil
Gaskets, Blow off disc & filling plug	: Viton

### TEMPERATURE EFFECT

When temperature of the measuring system deviates from reference temperature (+20°C) max error  $\pm 0.4\%$  / 10K of true scale value.

### NOTES

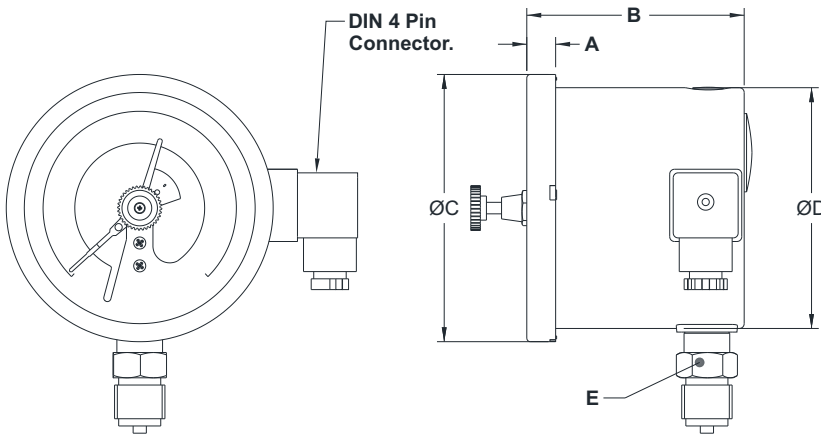
1. Gauge accuracy shall be CL 1.0. but switching accuracy shall be CL 5.0

## REFERENCE

EN 837-1

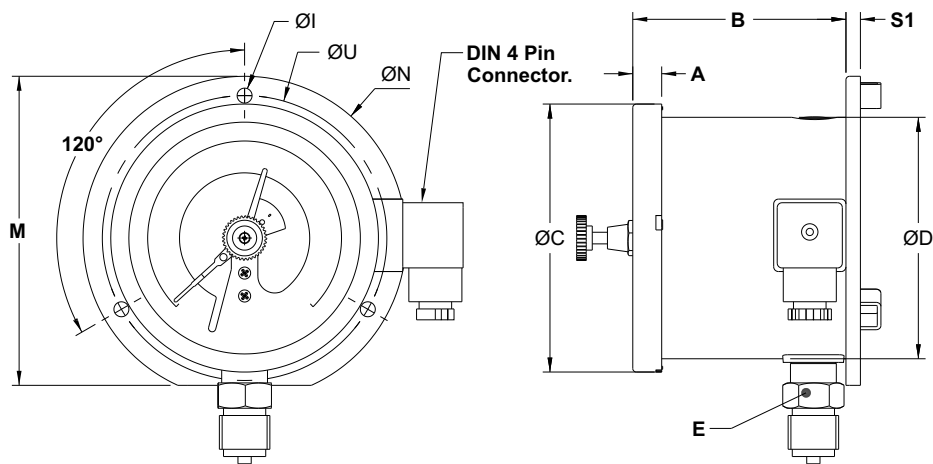
DIMENSIONAL DRAWING

Type B0



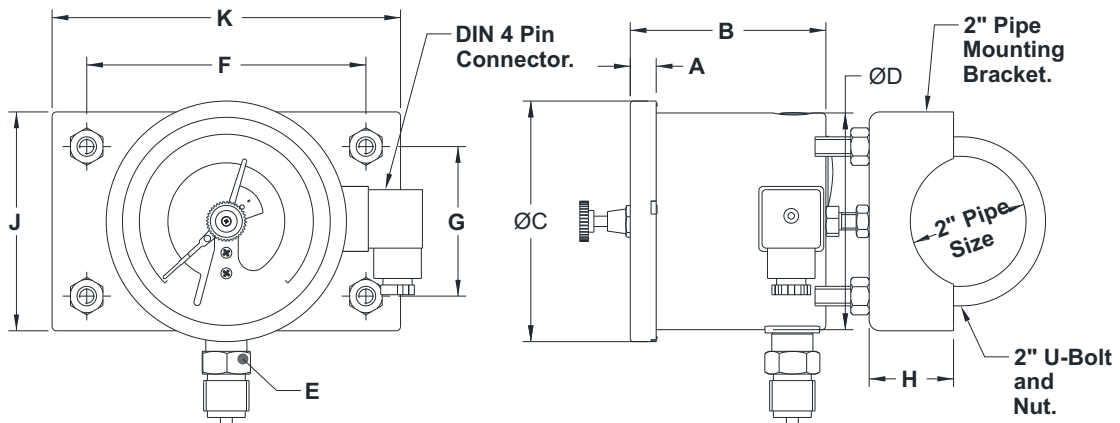
DN	A	B	ØC	ØD	E	Weight (grams)
100	12	90	111	100	A/F-22	801
150	15	90	161	149	A/F-22	1195

Type B1



DN	A	B	ØC	ØD	E	ØI	M	ØN	S1	ØU	Weight (grams)
100	12	94	111	100	A/F22	6	128	134	6	118	908
150	15	94	161	149	A/F22	6	172.4	186	6	168	1375

Type B2

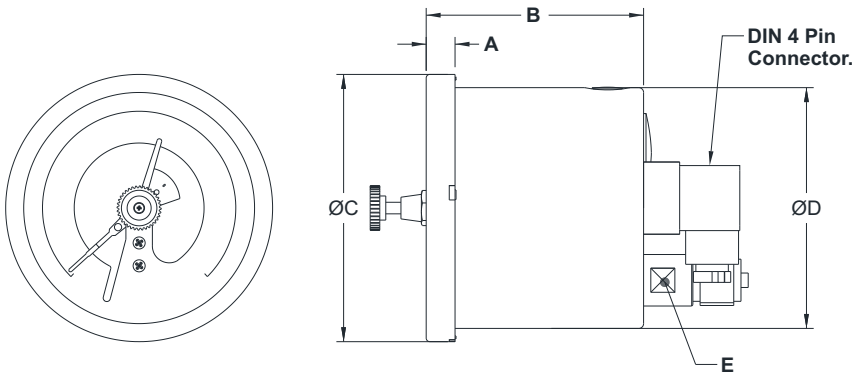


DN	A	B	ØC	ØD	E	F	G	H	J	K	Weight (grams)
100	12	90	111	100	A/F22	129	69	39	101	161	1875
150	15	90	161	149	A/F22	129	69	39	101	161	2269

All dimensions are in mm.

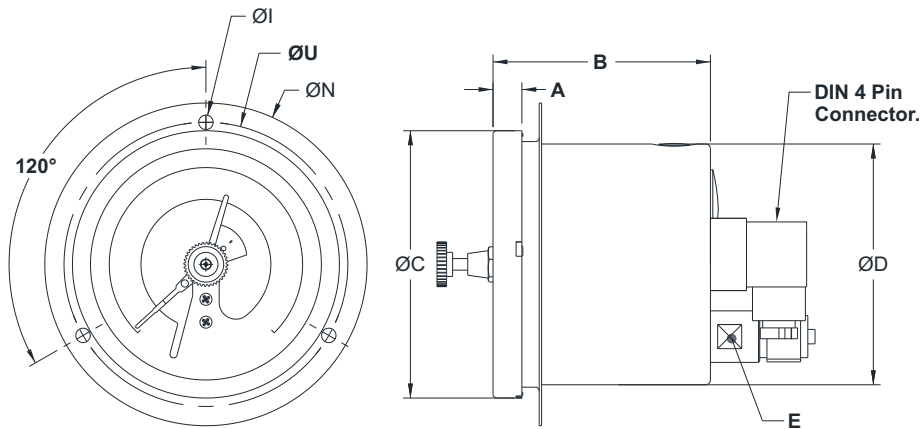
DIMENSIONAL DRAWING

Type L0



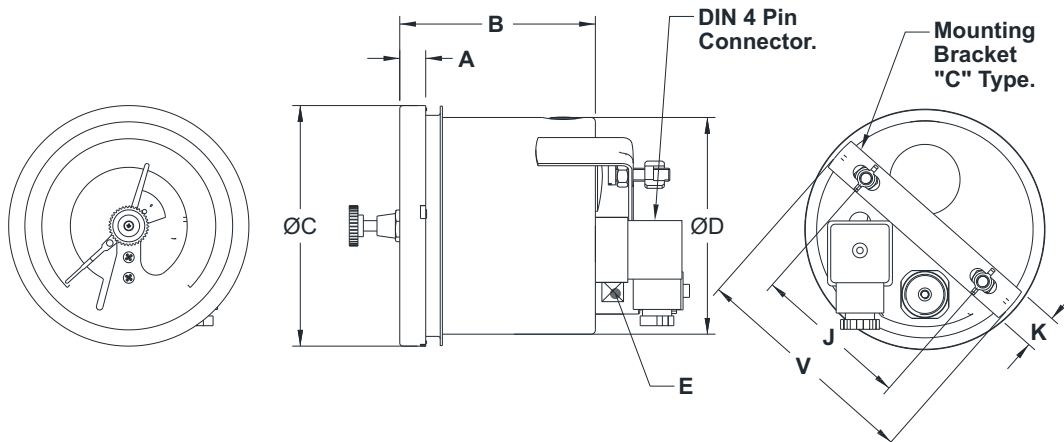
DN	A	B	ØC	ØD	E	Weight (grams)
100	12	90	111	100	A/F17	801
150	15	90	161	149	A/F17	1195

Type L1



DN	A	B	ØC	ØD	E	ØI	ØN	ØU	Weight (grams)
100	12	90	111	100	A/F17	6	134	118	833
150	15	90	161	149	SQ.22	6	186	168	1269

Type L2



DN	A	B	ØC	ØD	E	J	K	V	Weight (grams)
100	12	90	111	100	A/F17	72	16	108	813
150	15	90	161	149	A/F17	106.5	16	158.5	1284

All dimensions are in mm.

**ORDERING CODES**

<b>1. DIAL SIZE</b>		<b>04</b>	<b>8. ELECTRIC CONTACT</b>		<b>CD1</b>
<b>04</b>	100 mm / 4"		<b>CD1</b>	Break contact (1NC)	
<b>06</b>	150 mm / 6"	<b>XXX</b>	<b>CD2</b>	Make contact (1NO)	
<b>2. RANGE</b>			<b>CD3</b>	2 x Break contact (2NC)	
<b>XXX</b>	Refer "Range Table"	<b>B0</b>	<b>CD4</b>	2 x Make contact (2NO)	
<b>3. MOUNTING PATTERN</b>			<b>CD5</b>	1 Break + 1 Make (1NC+1NO)	
<b>B0</b>	Direct, Bottom connection	<b>14N</b>	<b>CD6</b>	1 Make + 1 Break (1NO+1NC)	
<b>B1</b>	Wall/Surface/Projection mounting, Bottom connection		<b>CD7</b>	SPDT	
<b>B2</b>	2" Pipe/Yoke mounting, Bottom connection	<b>ER</b>	<b>CD8</b>	DPDT	
<b>L0</b>	Lower, Back connection		<b>CI1</b>	Break contact (1NC)	
<b>L1</b>	Panel/Front flange mounting, Lower Back connection	<b>EA</b>	<b>CI2</b>	Make contact (1NO)	
<b>L2</b>	Panel/bracket mounting, Lower Back connection		<b>CI3</b>	2 x Break contact (2NC)	
<b>4. PROCESS CONNECTION</b>		<b>RR</b>	<b>CI4</b>	2 x Make contact (2NO)	
<b>12B</b>	1/4" BSP (M)		<b>CI5</b>	1 Break + 1 Make (1NC+1NO)	
<b>12N</b>	1/4" NPT (M)	<b>XX</b>	<b>CI6</b>	1 Make + 1 Break (1NO+1NC)	
<b>13B</b>	3/8" BSP (M)		<b>CI9</b>	Booster relay for current up to 5A	
<b>14B</b>	1/2" BSP (M)	<b>9. OTHER OPTIONS</b>			
<b>14M</b>	M20 X 1.5 mm (M)	<b>BA</b>	Case & Ring in AISI 316 SS (B0)		
<b>14N</b>	1/2" NPT (M)	<b>BB</b>	Case & Ring in AISI 316 SS (B1)		
<b>5. INGRESS PROTECTION</b>		<b>BC</b>	Case & Ring in AISI 316 SS (B2)		
<b>ER</b>	IP 65	<b>BK</b>	Case & Ring in AISI 316 SS (L0)		
<b>6. EXECUTION</b>		<b>BL</b>	Case & Ring in AISI 316 SS (L1)		
<b>EA</b>	Dry	<b>BM</b>	Case & Ring in AISI 316 SS (L2)		
<b>EF</b>	Dry but fillable, dielectric oil <sup>4</sup>	<b>EM</b>	Dampening screw, Monel		
<b>EK</b>	Dampening liquid, dielectric oil <sup>4</sup>	<b>EN</b>	Dampening screw, AISI 316 SS		
<b>7. SWITCH CATEGORY</b>		<b>GL</b>	AISI 316 SS movement		
<b>RS</b>	Precision contacts	<b>GM</b>	Dampened movement		
<b>RT</b>	ATEX / CE approved contacts	<b>G6</b>	6 pin, M20x1.5mm connector		
		<b>G7</b>	Earth terminal		
		<b>MN</b>	Monel wetted parts		
		<b>RA</b>	Rubber parts, Viton		
		<b>RW</b>	Vent plug ON/OFF type		
		<b>TA</b>	5 - point calibration certificate		
		<b>TC</b>	Material test certificate 3.1		
		<b>TM</b>	Material test certificate 2.2		
		<b>TN</b>	Tested to NACE standards		
		<b>TO</b>	Certification for Oxygen service		
		<b>XF</b>	SS tag plate, AISI 304 SS		
		<b>XG</b>	SS tag plate, AISI 316 SS		
		<b>XR</b>	Custom designed dial		
		<b>XT</b>	Dial tag marking		

**Ordering Example : P502-04-XXX-B0-14N-ER-EA-RR-CD1-XX**

**NOTES**

1. For other connections, please contact factory.
2. Economic contacts & Precision contact are available in Electric contact types CS1...CS6 & CD1...CD6 respectively.
3. ATEX / CE approved contacts are available in Electric contact type CI1...CI6.
4. Rubber parts shall be in Viton.