

FEATURES

- Compact design
- Migrated pressure chambers
- Static pressure up to 200 bar

APPLICATION

- Filtration plants
- Water applications
- Duct & room pressure
- Pumps & Compressors
- Clean room applications

Piston Operated



STANDARD PARAMETERS

Accuracy	:	± 2 % (Ascending)
Ambient temperature	:	-40... +65°C
Service temperature	:	80°C max.
Pressure limits	:	Steady pressure and over pressure up to FS value from LO to HI side
Static pressure	:	200 bar (Optional : 400 bar)

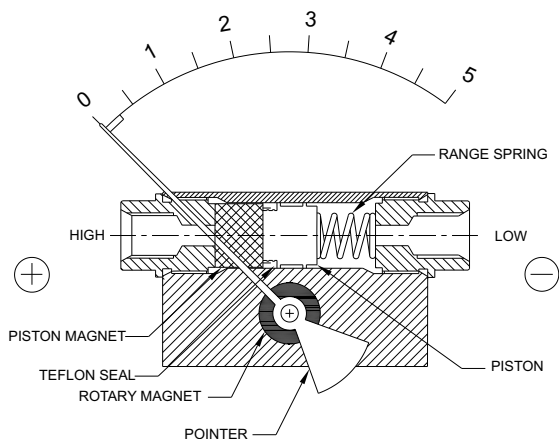
MATERIAL OF CONSTRUCTION

Sensing element	:	Piston
Case	:	AISI 304 SS, Push-fit window
Welded parts	:	AISI 316 SS Body, Teflon, Ceramic Magnet & SS spring
Dial	:	Aluminum, black graduation on white background
Pointer	:	Fix, aluminum, black powder coated
Window	:	Sheet glass

STANDARD SPECIFICATIONS

Dial size	:	DN63 / DN100 / DN150
Range	:	0...0.25 to 0...10 bar
Mounting pattern / porting	:	Direct, In-line connection
Process connection	:	1/4" NPT (F) x 2 Nos
Ingress protection	:	IP 65
Execution	:	Dry

WORKING PRINCIPLE

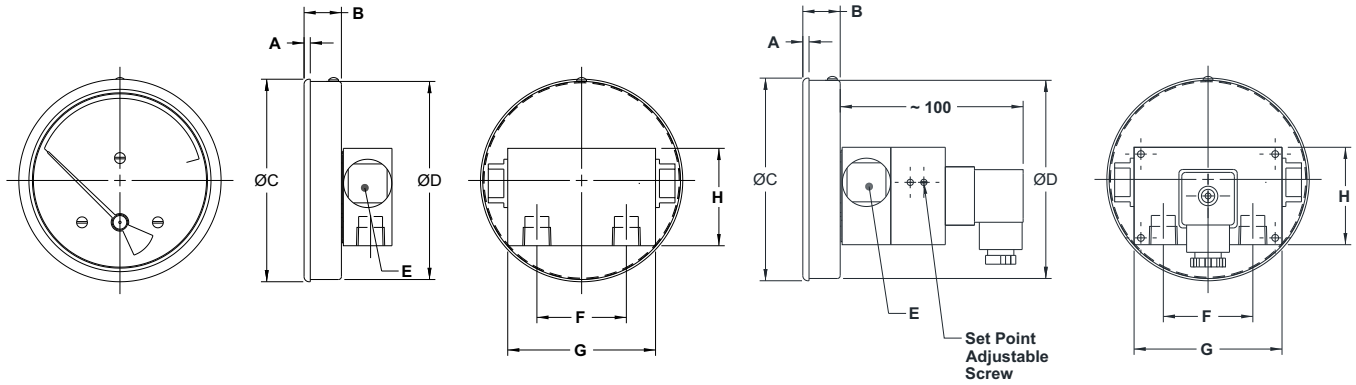


NOTES

1. First marking on the scale shall be 20% of FSD.

DIMENSIONAL DRAWING

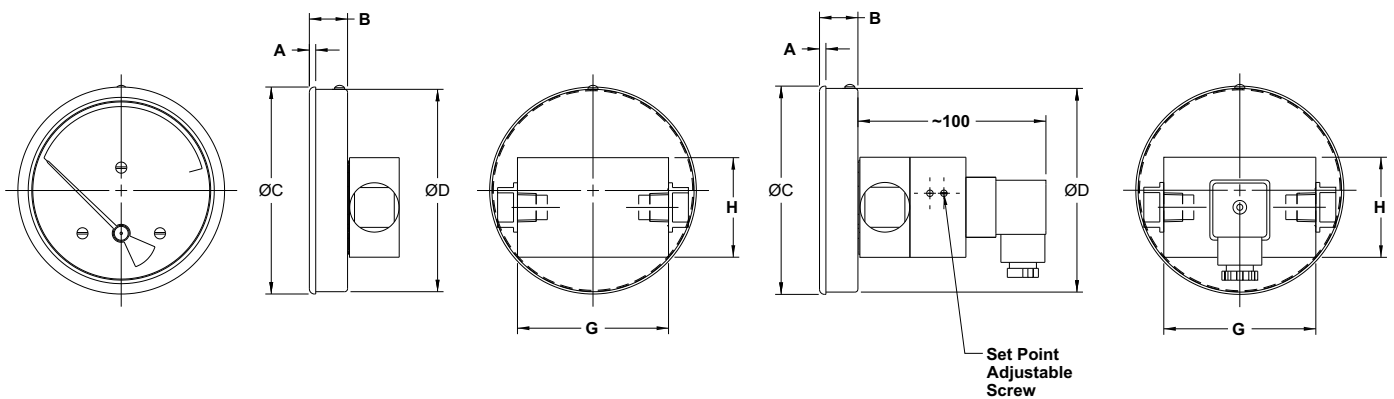
Type B0



With switch assembly

DN	A	B	C	D	E	F	G	H	Weight (grams)
63	3.2	19.5	66.5	62.5	20	46	76	50	430
100	3.2	19.5	104	101.5	20	46	76	50	460
150	3.2	19.5	155.5	151.5	20	46	76	50	560

Type X0

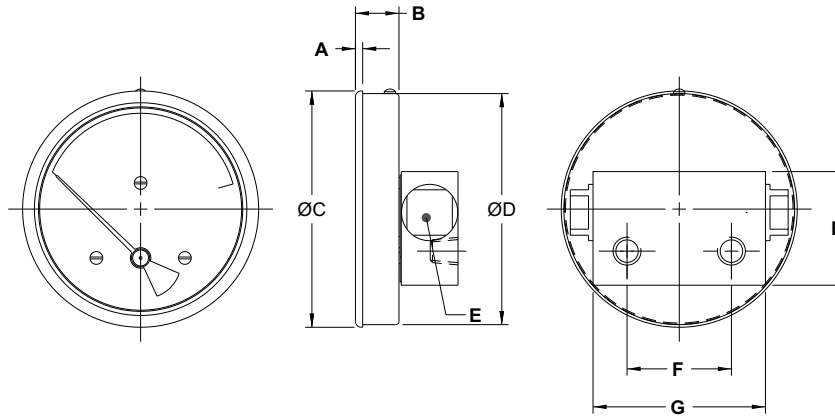


With switch assembly

DN	A	B	C	D	G	H	Weight (grams)
63	3.2	19.5	66.5	62.5	76	50	410
100	3.2	19.5	104	101.5	76	50	460
150	3.2	19.5	155.5	151.5	76	50	550

DIMENSIONAL DRAWING

Type R0



DN	A	B	C	D	E	F	G	H	Weight (grams)
63	3.2	19.5	66.5	62.5	20	46	76	50	400
100	3.2	19.5	104	101.5	20	46	76	50	450
150	3.2	19.5	155.5	151.5	20	46	76	50	540

All dimensions are in mm.

ORDERING CODES

1. DIAL SIZE

25	63 mm / 2½"
04	100 mm / 4"
06	150 mm / 6"

25

2. RANGE

XXX Refer "Range Table"

XXX

3. MOUNTING PATTERN / PORTING

B0	Direct Bottom connection
R0	Direct Back connection
X0	In-line connection

X0

4. PROCESS CONNECTION

02B	¼" BSP (F) X 2 Nos.
02N	¼" NPT (F) X 2 Nos.

02N

5. INGRESS PROTECTION

ER IP 65

ER

6. EXECUTION

EA	Dry
EG	Dampening liquid filled, glycerine
EH	Dampening liquid filled, silicon oil ²

EA

7. OTHER OPTIONS

TB	Calibration certificate
XG	SS tag plate, AISI 316 SS
XF	SS tag plate, AISI 304 SS
XR	Custom designed dial
XT	Dial tag marking
GW	Maximum Reading pointer
LR0	1 SPST Reed switch
LR1	1 SPDT Reed switch
B7	With 3-Hole front panel
XS	2" pipe mounting (Except for R0)
RA	Rubber parts, Viton
RN	Rubber parts, NBR

XX

Ordering Example : P401-25-XXX-B0-02N-ER-EA

NOTES

- For other connections, please contact factory.
- Rubber parts shall be in Viton