

A Higher Level of Performance



Data Sheet

Gladiator

Admittance Smart Switch Series

An All-round Point Level Switch



For more information, please visit >
www.hawkmeasure.com

www.contromat.com

info@contromat.com | +972-3-9744044



Overview

Gladiator Admittance Smart Switch Series



The **Gladiator Admittance Smart Switch Series** is a third generation, state-of-the-art level probe, designed to operate in tough industrial environments.

Principle of Operation

The probe of the Admittance Switch forms one plate of a capacitance circuit, with the vessel wall making the second plate. The dielectric constant of the product between the probe and the vessel wall will cause a change of capacitance as the level approaches the probe. The change is detected, amplified and used to switch a relay for indication or control purposes. A special circuit is used to ignore product build-up between the sensing probe (active element) and guard, and also between the guard and vessel wall.

Typical Uses

- Failsafe high-level / low-level alarm
- High-level alarm
- Low-level alarm
- Blocked chute / Plugged chute
- Interface detection
- Pump control.

Function

The Gladiator Admittance Smart Switch is point level switch for liquids, solids and powders. The unit is suitable for a broad range of products and dielectric constants up to high temperature of 450°C (842°F).

Primary Areas of Application

- | | | |
|-------------------|--------------------|-----------------------|
| • Asphalt | • Mining & Metals | • Semiconductor |
| • Brewing | • Oil & Gas | • Sugar |
| • Cement | • Packaging | • Textile |
| • Chemical | • Paint | • Water & Wastewater. |
| • Dairy | • Paper | |
| • Edible oil | • Pharmaceutical | |
| • Fertilizer | • Plastics | |
| • Food & Beverage | • Power Generation | |
| • Glass | • Refining | |

Features

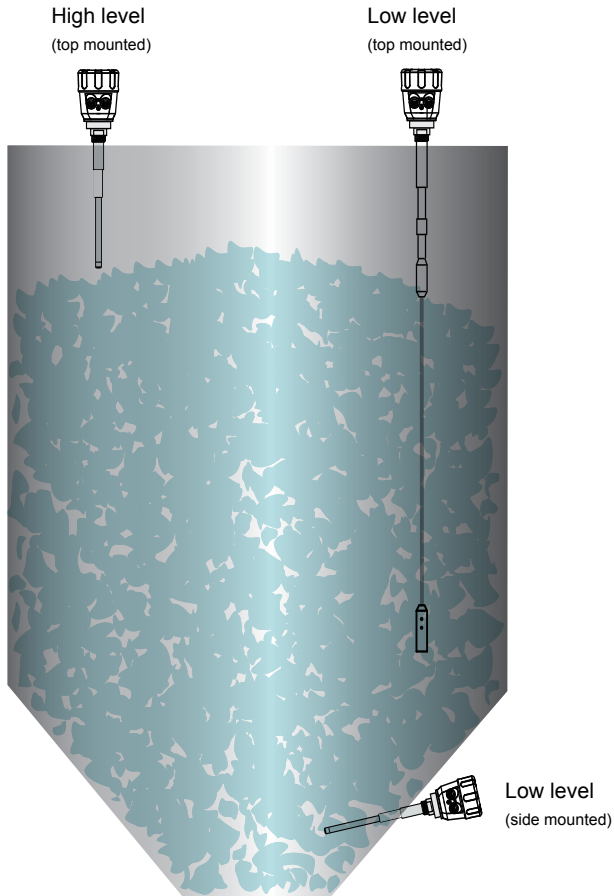
- Excellent immunity to product build-up
- Excellent temperature stability - no false trips
- Non contact switching possible with many products
- Simple '1-minute' setup
- Remote sensor or Integral 'all in one' types
- Relay outputs: Integral probe (1) Remote (2)
- Remote test function
- Adjustable ON and OFF delays (0-20 sec)
- Remote 3G Connection option
- Remote amplifier to probe separation up to 500 meters (1640 ft)
- Bright visual status indication on Probe
- Independent housing alignment after mounting thread locked.

Typical Applications

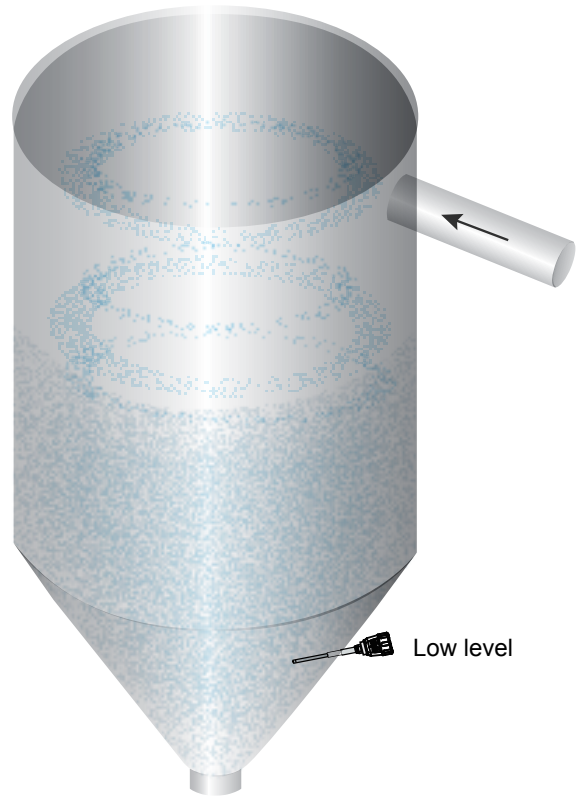
Gladiator Admittance Smart Switch Series



High and low-level switch in a hopper

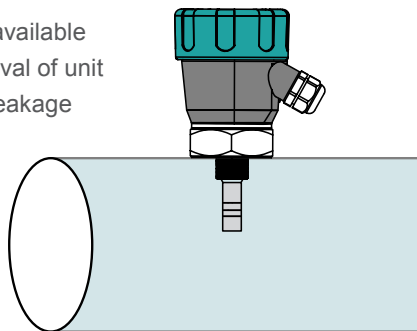


Cyclone bin level switch



Presence / Absence of liquid in pipe detection

Sealing plug available allowing removal of unit without pipe leakage



High level switch in grain application



Continuous filling with build-up on probe

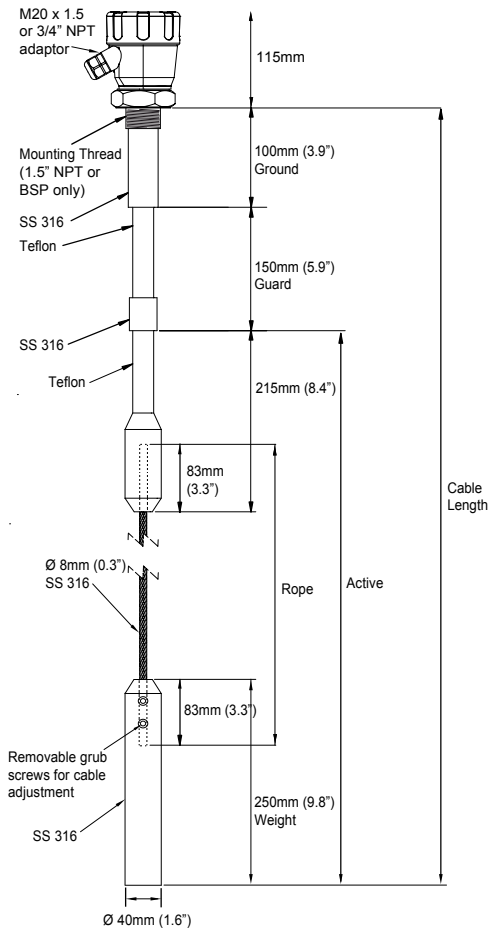


Dimensions

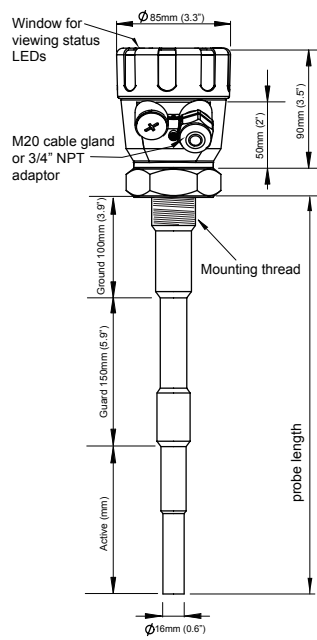
Gladiator Admittance Smart Switch Series



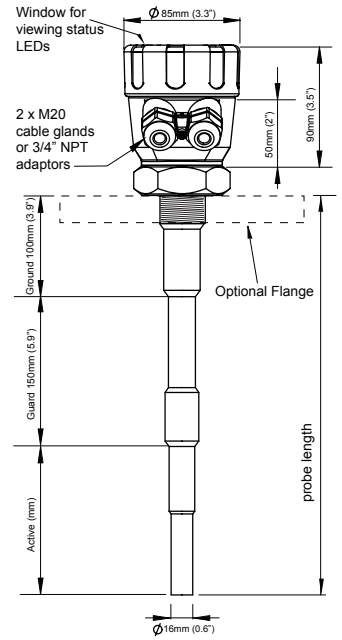
Flexible Cable Probe



Remote Probe



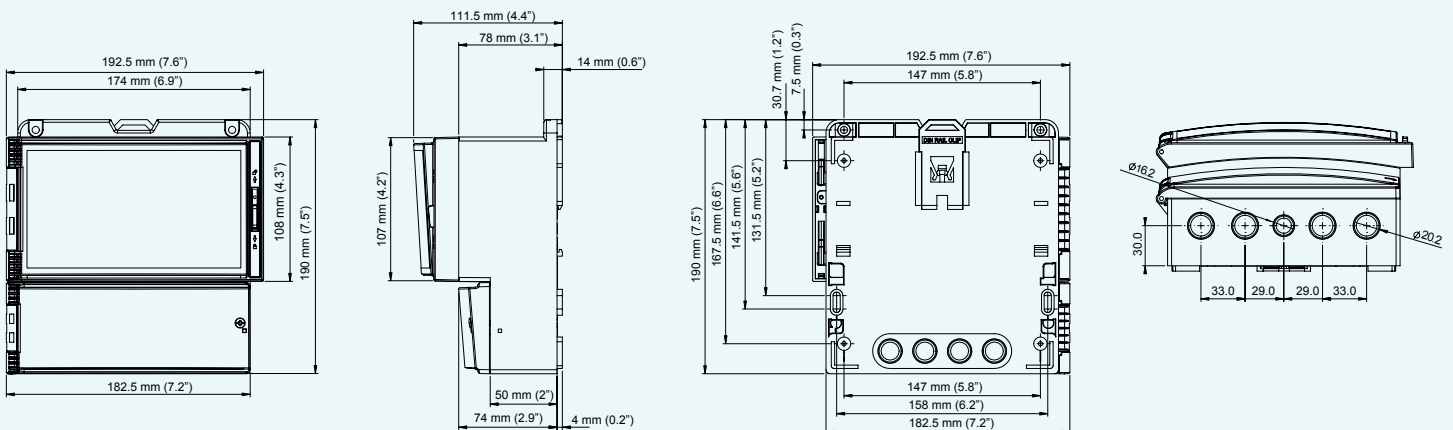
Integral Probe



Probe Length (mm, inch)	Active	+ Guard + Ground
P05 (50mm, 2")	= 15mm, 0.6"	+ 35mm, 1.4"
P30 (300mm, 11.8")	= 50mm, 2"	+ 250mm, 9.8"
P50 (500mm, 19.7")	= 250mm, 9.8"	+ 250mm, 9.8"
P100 (1000mm, 39.4")	= 750mm, 29.5"	+ 250mm, 9.8"

Probe Length (mm, inch)	Active	+ Guard + Ground	(Rope Length)
C100 (1000mm, 39.3")	= 750mm, 29.5"	+ 250mm, 9.8"	451mm, 17.8"
C200 (2000mm, 78.7")	= 1750mm, 68.9"	+ 250mm, 9.8"	1451mm, 57.1"
C300 (3000mm, 118.1")	= 2750mm, 108.3"	+ 250mm, 9.8"	2451mm, 96.5"

Remote Amplifier



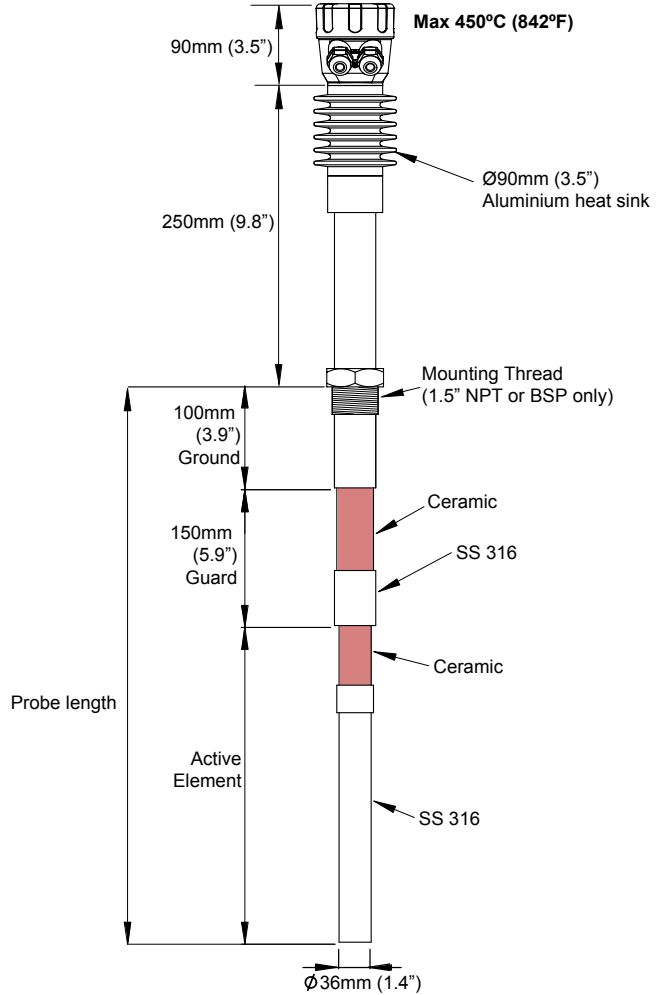
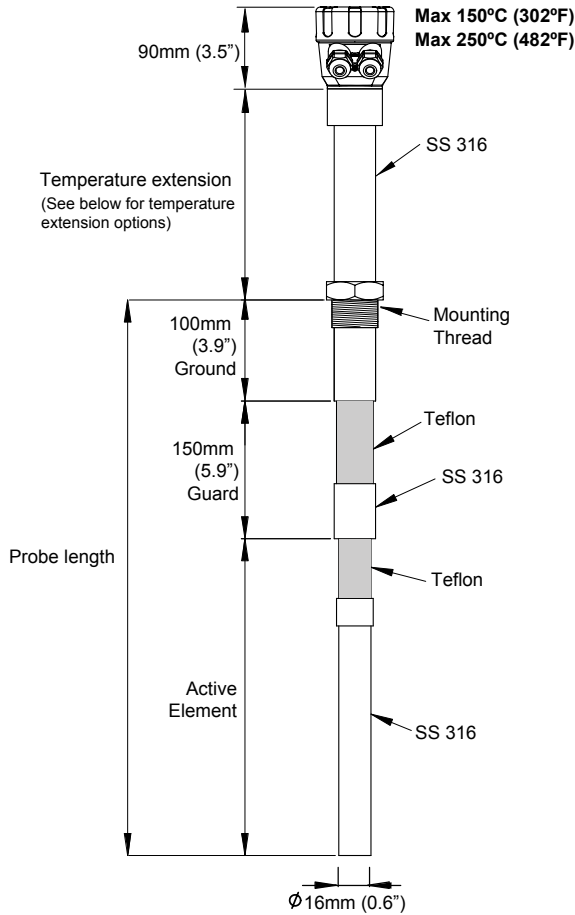
Dimensions

Gladiator Admittance Smart Switch Series



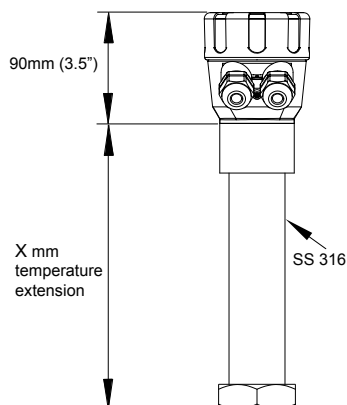
High Temperature Probe (<250°C, <482°F)

High Temperature Probe (450°C, 842°F)



High Temperature Extensions (<250°C, 482°F)

Remote Probe or Integral Probe



X mm:

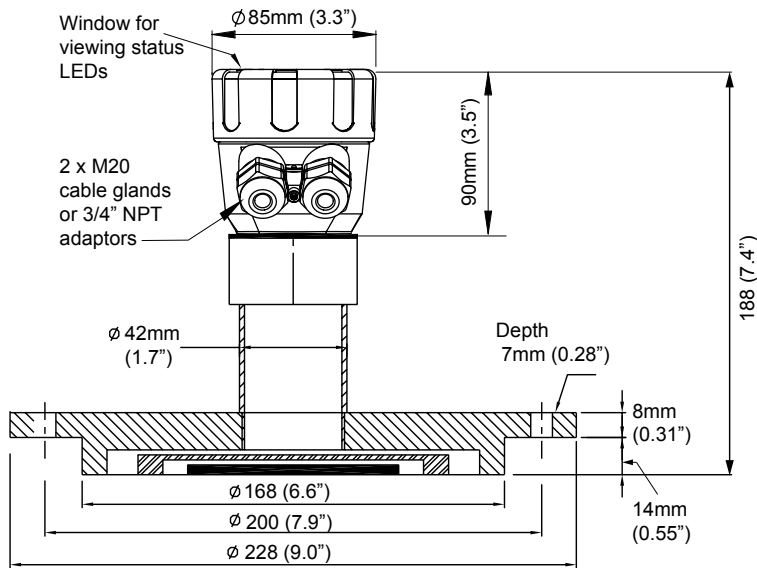
- Max. 80°C (176°F) ~ no temperature extension required.
- Max. 150°C (302°F) ~ 150mm (5.9")
- Max. 250°C (482°F) ~ 250mm (9.8")
- For the 450°C (842°F) Probe, a different extension applies.

Dimensions

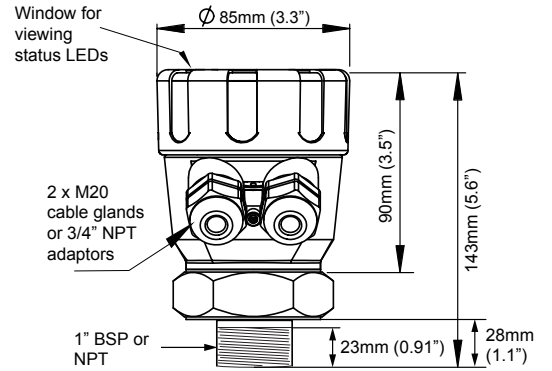
Gladiator Admittance Smart Switch Series



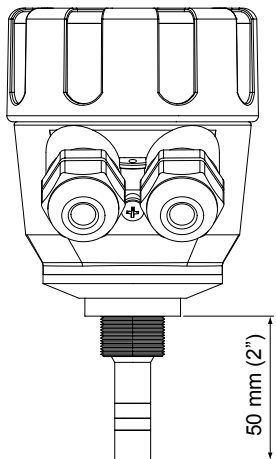
D168 Probe version (Flanged Mount)



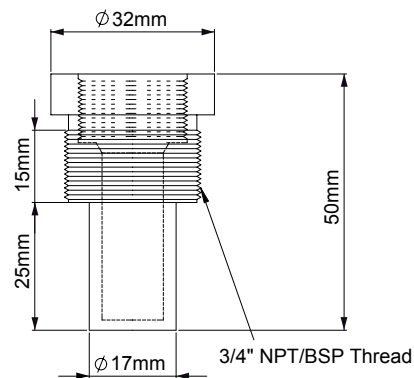
D33 Probe version (1" Mount)



Pump Protection Version



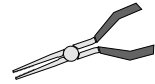
Sealing Cover





Integral Probe Wiring

Remove Plug-In terminal block for easier wiring.



Use long nose pliers to extract terminal



The AC earth/ground cable must be connected to the ground screw inside the housing when using AC power.

Hole for securing of optional identification tag

M4 grounding screw

If only one cable is used for both power and output signal, then the second entry port must be plugged or blinded. Every Smart unit is supplied with two M20 glands (or 3/4" NPT adaptors) mounted on the unit and one blind plug loose.

Ground the housing to vessel, if vessel is metallic. Ground the housing to plant ground, if vessel is non-metallic.



Terminal Layout - Output Option S (SPDT)

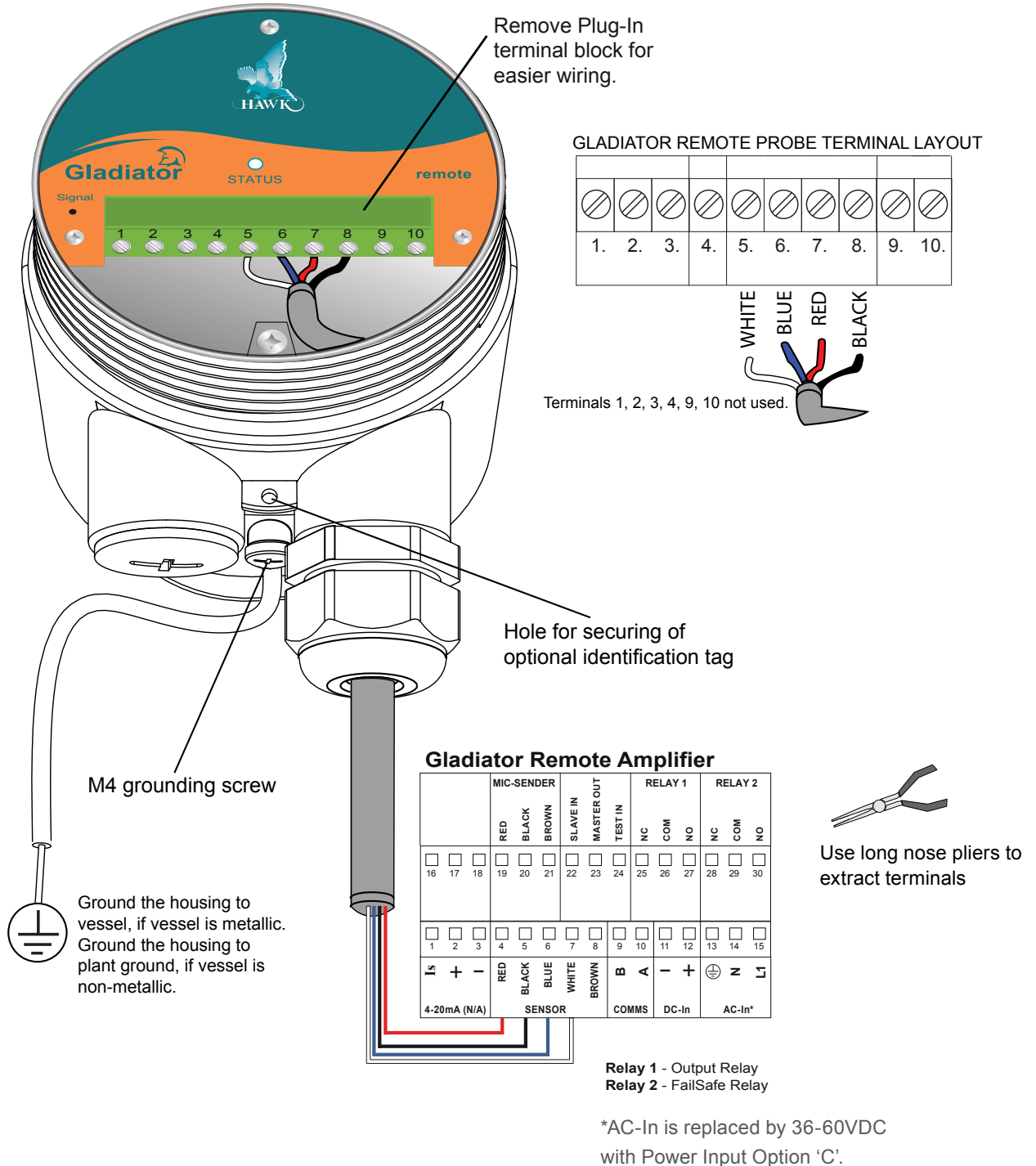
RELAY				COMMS		DC-IN		AC-IN	
1.	2.	3.	4.	5.	6.	7.	8.	9.	10.
NC	COM	NO	Test	A	B	+	-	N	L1
				RS 485		12-30Vdc		80-265Vac	

Terminal Layout - Output Option D (DPDT)

RELAY						DC-IN		AC-IN	
1.	2.	3.	4.	5.	6.	7.	8.	9.	10.
NC1	COM1	NO1	NC2	COM2	NO2	+	-	N	L1
						7-30Vdc		80-265Vac	



Remote Probe to Amplifier Wiring



Cable type between Amplifier and Probe

- Cable type between Amplifier and Probe
- 4 conductor shielded twisted pair instrument cable
- Conductor size dependent on cable length
- BELDEN 3084A, DEKORON or equivalent
- Max: BELDEN 3084A = 500m (1640 ft)
- Max: DEKORON IED183AA002 = 350m (1150 ft).

Part Numbering

Gladiator Admittance Smart Switch Series



Integral Probe Version

AS2100 Gladiator Admittance Switch - Integral Probe

Power Supply

- B 12-30 VDC
- U 12-30VDC and 90-260VAC

Output Options

- S 1 x SPDT Relay, Modbus
- D 1 x DPDT Relay, Modbus

Housing

- S Powder Coated Aluminium
- C 316L Stainless Steel

Guard Length

- 1 Standard

Temperature¹

- 1 Max. 80°C (176°F)
- 2 Max. 150°C (302°F)
- 3 Max. 250°C (482°F)
- 4 Max. 450°C (842°F) (Mounting Option TB15/TN15, Flanged only)

Probe Type¹

- 1 316L rod
- 2 Teflon Insulated 316L rod
- 3 Cable

Mounting¹ (Flanges available)

- TN07 3/4" NPT Thread
- TB07 3/4" BSP Thread
- TN10 1" NPT Thread
- TB10 1" BSP Thread
- TN15 1.5" NPT Thread
- TB15 1.5" BSP Thread

Approvals²

- X Not Required
- A20A ATEX Grp II Cat 1/2 D
- A20 ATEX Grp II Cat 1/2 D
- i20A IECEx Zone 20
- i20 IECEx Zone 20 or 21
- A22 ATEX Grp II Cat 3 GD

(P)Probe³ (C)Cable Length³

- P10 100mm (4")
- P30 300mm (11.8")
- P50 500mm (19.6")
- P100 1000mm (39.3")
- C100 1000mm (39.3")
- C200 2000mm (78.7")
- C300 3000mm (118.1")
- C500 5000mm (196.9")

AS2100 B S S 1 1 1 TB15 X P30

¹See Probe Configuration for combination options

²See Approvals Section for critical details

³Custom lengths available. Consult Factory

Part Numbering

Gladiator Admittance Smart Switch Series



Remote Version

Remote Amplifier

GSA Remote Gladiator System Amplifier

Housing

S Polycarbonate

Power Supply

B 12-30 VDC

C 36-60VDC

U 12-30VDC and 90-260VAC

Output Options (inc. Modbus)

S 2 x SPDT, 1 level relay, 1 failsafe relay

Approvals

X Not Required

A22 ATEX Grp II Cat 3 GD T75°C IP67
Tamb -40°C to 65°C

GSA S U S

Connection Cable

CA-GMR Pre-cut cable for remote system

10 10m cable

20 20m cable

30 30m cable

50 50m cable

100 100m cable

CA-GMR 10

Lengths above 100m available via special order

Mounting Flanges

Model

FLA - **Flange Size**

1 1" or DN25 or 25mm

H 1 1/2" or DN40 or 40mm

2 2" or DN50 or 50mm

K 2 1/2" or DN65 or 65mm

3 3" or DN80 or 80mm

L 3 1/2" (ANSI ONLY)

4 4" or DN100 or 100mm

Flange Type

A1 ANSI B16.5 150LB FLANGE

A3 ANSI B16.5 300LB FLANGE

A6 ANSI B16.5 600LB FLANGE

A9 ANSI B16.5 900LB FLANGE

AA ANSI B16.5 1500LB FLANGE

AB ANSI B16.5 2500LB FLANGE

D6 DIN2527 PN6 FLANGE

D0 DIN2527 PN10 FLANGE

D1 DIN2527 PN16 FLANGE

D2 DIN2527 PN25 FLANGE

D4 DIN2527 PN40 FLANGE

J5 JIS 5K FLANGE

J0 JIS 10K FLANGE

J1 JIS 16K FLANGE

J2 JIS 20K FLANGE

J4 JIS 40K FLANGE

S1 AS 2129 Table D

S2 AS 2129 Table E

S3 AS 2129 Table F

S4 AS 2129 Table H

Material

SS SS316L

Thread Type (internal)

TB07 3/4" BSP THDs

TB10 1" BSP THDs

TB15 1 1/2" BSP THDs

TN07 3/4" NPT THDs

TN10 1" NPT THDs

TN15 1 1/2" NPT THDs

FLA - 2 A1 - SS - TB15



Remote Probe

AS2200 Remote Gladiator Admittance Probe

Housing

- S Powder Coated Aluminium
- C 316L Stainless Steel

Guard Length

- 1 Standard

Temperature¹

- 1 Max. 80°C (176°F)
- 2 Max. 150°C (302°F)
- 3 Max. 250°C (482°F)
- 4 Max. 450°C (842°F) (Mounting Option TB15/TN15, Flanged only)

Probe Type¹

- 1 316L rod
- 2 Teflon Insulated 316L rod
- 3 Cable

Mounting¹ (Flanges available)

- TN07 3/4" NPT Thread
- TB07 3/4" BSP Thread
- TN10 1" NPT Thread
- TB10 1" BSP Thread
- TN15 1.5" NPT Thread
- TB15 1.5" BSP Thread

Approvals²

- X Not Required
- A20A ATEX Grp II Cat 1/2 D
- A20 ATEX Grp II Cat 1/2 D
- i20A IECEx Zone 20
- i20 IECEx Zone 20 or 21
- A22 ATEX Grp II Cat 3 GD

(P)Probe³ (C)Cable Length³

- P10 100mm (4")
- P30 300mm (11.8")
- P50 500mm (19.6")
- P100 1000mm (39.3")
- C100 1000mm (39.3")
- C200 2000mm (78.7")
- C300 3000mm (118.1")
- C500 5000mm (196.9")

AS2200 S 1 1 1 TB15 X P30

¹See Probe Configuration for combination options

²See Approvals Section for critical details

³Custom lengths available. Consult Factory

Part Numbering

Gladiator Admittance Smart Switch Series



Pump Protection Version

AS2100 Gladiator Admittance Pump Protection Probe

Power Supply

- B 12-30 VDC
- U 12-30VDC and 90-260VAC

Output Options

- S 1 x SPDT Relay, Modbus
- D 1 x DPDT Relay, Modbus

Housing

- S Powder Coated Aluminium
- C 316L Stainless Steel

Guard Length

- 2 Short guard

Temperature

- 1 Max. 80°C (176°F)
- 2 Max. 150°C (302°F)
- 3 Max. 250°C (482°F)

Probe Type

- 1 316L rod

Mounting

- TB05 1/2" BSP thread
- TN05 1/2" NPT thread

Approvals (see Approvals Section for critical details)

- X Not Required
- A20A ATEX Grp II Cat 1/2 D
- A20 ATEX Grp II Cat 1/2 D
- i20A IECEx Zone 20
- i20 IECEx Zone 20 or 21
- A22 ATEX Grp II Cat 3 GD

(P)Probe Length

- P05 50mm

AS2100 B S S 1 1 1 TN05 X P05

Flush Mount Version

AS2100 Gladiator Admittance Flushed Mount Integral Probe

Power Supply

- B 12-30 VDC
- U 12-30VDC and 90-260VAC

Output Options

- S 1 x SPDT Relay, Modbus
- D 1 x DPDT Relay, Modbus

Housing

- S Powder Coated Aluminium
- C 316L Stainless Steel

Guard Length

- 3 Not Required (In-Built)

Temperature

- 1 Max. 80°C (176°F)

Probe Type

- 1 316L rod

Mounting

- F200 Flanged Mount (P.C.D 200mm)
- TN10 1" NPT thread
- TB10 1" BSP thread

Approvals

- X Not Required

(D)Probe Diameter¹

- D168 168mm (F200 Flanged Mount type only)
- D33 33mm (TN10 / TB10 mounting type only)

¹See Probe Configuration for combination options

²See Approvals Section for critical details

AS2100 B S S 1 1 1 TN10 X D168

Approvals / Probe Options

Gladiator Admittance Smart Switch Series



Approvals

Part Code	Condition	Rating	I.S Barriers Req
A20A	Open Vessel	ATEX Grp II Cat 1/2 D Ex iaD A20 IP65 T100°C for Tamb -20°C to 80°C	Yes (2)
A20	Closed Vessel (Internal)	ATEX Grp II Cat 1/2 D Ex iaD A20 IP65 T100°C	Yes (2)
A20	Closed Vessel (External)	ATEX Grp II Cat 1/2 D Ex iaD A20 IP65 T100°C for Tamb -20°C to 80°C	Yes (2)
i20A	Open Vessel	IECEX Zone 20 (Ex iaD tD A20 IP65 T100°C Ta -20°C to 80°C)	Yes (2)
i20	Closed Vessel (Internal)	IECEX Zone 20 (Ex iaD 20 IP65 T100°C Ta -20°C to 80°C)	Yes (2)
i20	Closed Vessel (External)	IECEX Zone 21 (Ex iaD A21 IP65 T100°C Ta -20°C to 80°C)	Yes (2)
A22	None	ATEX Grp II Cat 3 GD T75°C IP67 Tamb -40°C to 65°C	No

Consult appropriate Safety Instructions for critical information

Probe Configurations

Probe Option	Wetted Probe Materials	Mounting Option	Temperature Option	Max. Pressure
P ^x , C ^x	316L / PTFE	TB05, TB07, TB10, TB15 TN05, TN07, TN10, TN15 Flanged	1, 2, 3	10 bar (145 Psi)
P ^x , C ^x	316L / Ceramic	TB15 TN15 Flanged	4	1 bar (14.5 Psi)
D33	316L / PTFE / PEEK	TB10 TN10	1, 2, 3	60 bar (870 Psi)
D168	316L / PTFE	F200	1, 2, 3	1 bar (14.5 Psi)

^x = (P)robe / (C)able Length

Specifications

Gladiator Admittance Smart Switch Series



Operating Voltage

- 12 - 30Vdc (residual ripple no greater than 100mV)
- 90 - 260Vac 50 / 60Hz.
- 36-60VDC.

Power Consumption

- <0.8W @ 24VDC
- <6W @ 48VDC
- <5VA @ 240VAC
- <3VA @ 115VAC

Communications

- GosHawk, Modbus
- Multidrop mode can address 1-250 units over 4 wires.

Relay Output: (1) Integral (2) Remote

- Remote: 2 x Form 'C' (SPDT) contacts, rated 5A at 240Vac resistive
- Integral: 1 x DPDT or 1 x SPDT rated 5A at 240Vac resistive
- Remote failsafe test facility for one relay (SPDT only)

Measurement Range

- 0.2pF - 100nF.

Resolution

- 0.01 pF.

Electronic Accuracy

- 0.05 pF.

Stability

- 0.01% / °C.

Operating Temperature

- Remote Electronics -40°C (-40°F) to 80°C (176°F)
- Integral Probe -40°C (-40°F) to 450°C (842°F)*
- Remote Probe -40°C (-40°F) to 450°C (842°F)*.

*See Probe Configurations

Probe / Amplifier Separation

- Up to 500m (1640ft) using specified extension cable.

Cable type between Amplifier and Probe

- 4 conductor shielded twisted pair instrument cable.
- Conductor size dependent on cable length.
- BELDEN 3084A, DEKORON or equivalent.
- Max: BELDEN 3084A = 500m (1640 ft)
- Max: DEKORON IED183AA002 = 350m (1150 ft) .

Maximum Operating Pressure

- 1-60 Bar (14.5-870 Psi) see Probe Configurations

Display (Remote version only)

- 2 line x 12 character alphanumeric LCD
- Backlight standard.

Memory - Remote

- Non-Volatile (No backup battery required)
- >10 years data retention.

Enclosure Sealing

- Integral Probe IP67
- Remote Electronics IP65 (Nema 4x)
- Remote Probe IP67.

Cable Entries

BSP process mounting

- 2 x M20 Glands.

NPT process mounting

- 2 x 3/4" NPTF threaded adaptors.

Remote

- 3 x 20mm (0.8"), 1 x 16mm (0.6") knock outs.

Mounting

- 1/2" NPT or BSP Thread
- 3/4" NPT or BSP Thread
- 1" NPT or BSP Thread
- 1.5" NPT or BSP Thread
- Flanged

Remote Test Input

Press to test (used to check for malfunction of unit from remote position, PLC, SCADA etc).

Dielectric Constants Table

Please see www.hawkmeasure.com or consult the Gladiator Manual.

Notes

Gladiator Admittance Smart Switch Series





HAWK, Since 1988

Hawk Measurement Systems Pty Ltd (HAWK) was established in 1988. It's founding members saw the universal requirement of various industries requiring improved process control and efficiency in their operations.

We Can Help

HAWK understands the difficulties customers face when seeking accurate level measurement. Every application is different, involving a multitude of environmental factors. This is where HAWK excels. Our aim is to ensure that customers feel comfortable with our technology, and are provided with long term and reliable solutions. We believe that a combination of application and product expertise, as well as forward thinking and proactive support policies are the foundation of successful customer-supplier relationships.

Progressive Technical Support

HAWK believes that the future of the Level Measurement Industry revolves around the quality of pre and post sales - support. Our aim is for all sales & support staff to be product experts, and more importantly application experts making our customers applications as efficient and consistent as possible.

Knowledge Sharing

HAWK believes that knowledge sharing is key to creating long term relationships. Empowering our customers and our worldwide distribution network, whilst being available at all times to lend a helping hand, is the perfect recipe for long term solutions and relationships. HAWK openly extends an invitation to share our 25 years of level measurement experience, and ensure that your day to day processes are efficient, understood, and always working.

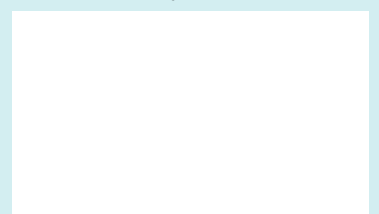
Hawk Measurement Systems (Head Office)

15 - 17 Maurice Court
Nunawading VIC 3131, Australia
Phone: +61 3 9873 4750
Fax: +61 3 9873 4538
info@hawk.com.au

Hawk Measurement

90 Glenn Street
Suite 100B, Lawrence, MA 01843, USA
Phone: +1 888 HAWKLEVEL (1-888-429-5538)
Phone: +1 978 304 3000
Fax: +1 978 304 1462
info@hawkmeasure.com

Represented by:



For more information and global representatives: www.hawkmeasure.com

Additional product warranty and application guarantees upon request.
Technical data subject to change without notice.